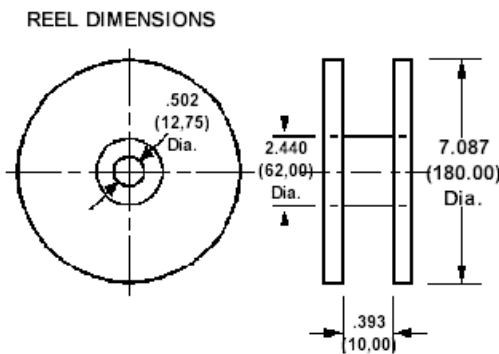
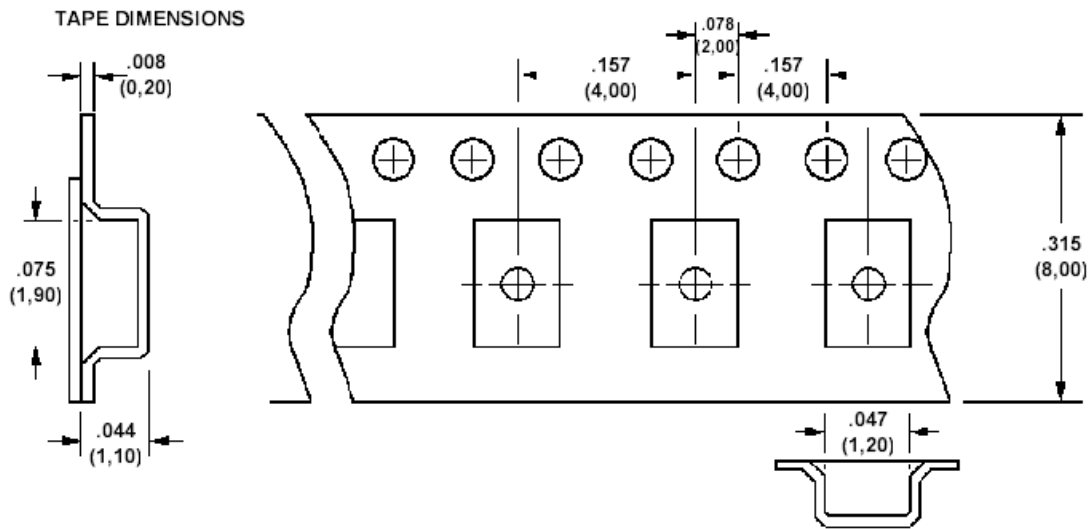
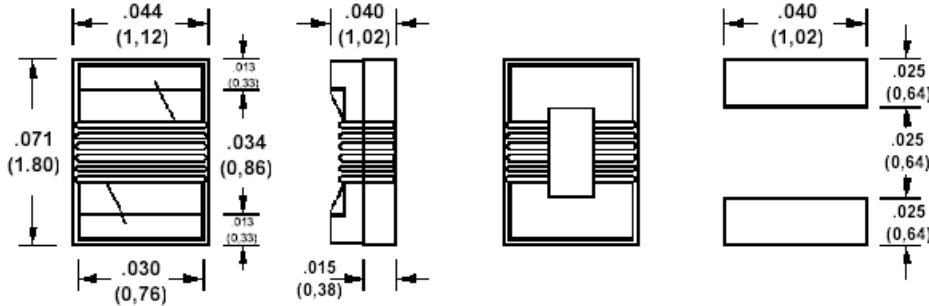


555-0603 Chip inductors, wire wound, surface mount, 0603 package, 1.8nH thru 120nH



How to order code

555-0603-XXX-Y-ZZ

Basic Part No XXX = Inductance identifier, Y = tolerance, ZZ = packaging

Basic Part Number (XXX)	L (n H)	Q (mi n)	Freq (MHz)	900 MHz Typ.		1.7 GHz Typ.		SRF (min) (MHz)	RDC (max) (W)	IDC (max) (mA)	
				L	Q	L	Q				
555-0603	-1N8	1.8	16	250	1.63	35	1.66	50	>6000	0.045	700
	-3N9	3.9	22	250	3.95	49	3.96	67	>6000	0.080	700
	-6N8	6.8	27	250	6.75	60	7.10	81	5800	0.110	700
	-10N	10	31	250	10.00	66	10.60	83	4800	0.130	700
	-12N	12	35	250	12.30	72	13.50	83	4000	0.130	700
	-15N	15	35	250	15.40	64	16.80	89	4000	0.170	700
	-18N	18	35	250	18.70	70	21.40	69	3100	0.170	700
	-22N	22	38	250	22.80	73	26.10	71	3000	0.190	700
	-27N	27	40	250	29.20	74	34.60	65	2800	0.220	600
	-33N	33	40	250	36.00	67	49.50	42	2300	0.220	600
	-39N	39	40	250	42.70	60	60.20	40	2200	0.250	600
	-47N	47	38	200	52.30	62	77.20	35	2000	0.280	600
	-56N	56	38	200	62.50	56	97.00	26	1900	0.310	600
	-68N	68	37	200	80.50	54	168	21	1700	0.340	600
	-72N	72	34	150	82.00	53	135	20	1700	0.490	400
-82N	82	34	150	96.20	54	177	21	1700	0.540	400	
-R10	100	34	150	124	49	-	-	1400	0.580	400	
-R11	110	32	150	138	43	-	-	1350	0.610	300	
-R12	120	32	150	166	39	-	-	1300	0.650	300	

TOLERANCE (Y)		
Tolerance Code (Y)	Inductance Tolerance	Notes
G	± 2%	Made to order
J	± 5%	
K	± 10%	Standard
M	± 20%	Made to order

PACKAGING (ZZ)	
-00	Loose Piece
-36	Taped and Reeled

MATERIAL SPECIFICATIONS	
Base Material	Ceramic
Metallised pad	Super adhesion Molybdenum/Manganese with Gold over plating
Operating Temperature	-55°C to 125°C
Storage Temperature	-55°C to 100°C